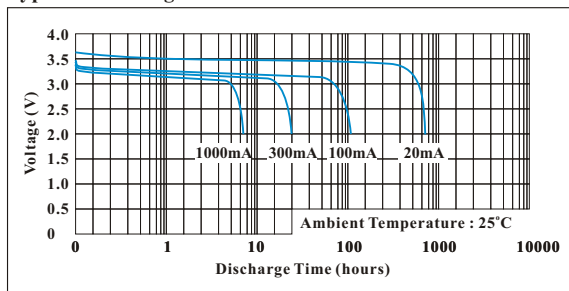


# LITHIUM THIONYL CHLORIDE BATTERY

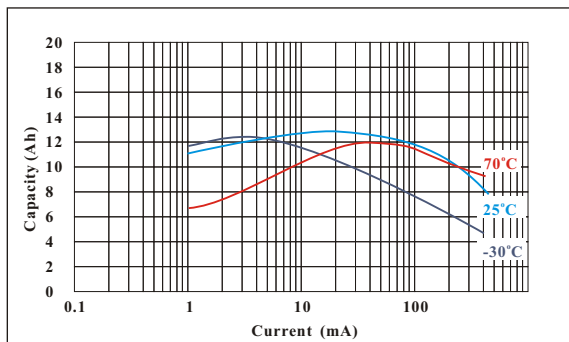
## SPECIFICATIONS

Model	: ER34615M
Description	: Lithium Thionyl Chloride battery (LiSOCl <sub>2</sub> ), size 'D', Spiral (High Drain) Type
Nominal Capacity	: 13Ah at 20mA discharge at 25°C to 2.0V
Nominal Voltage	: 3.6 V
Cut-Off Voltage	: 2.0 V
Weight	: 110 g
Estimated Shelf-Life	: 10 years (for reference only, tested by storage at 60°C for 200 days)
Recommended Drain	Standard : 20mA Continuous : Max. 1000mA at 25°C 1s Pulse : Max. 2000mA (conditions apply)
Operating Temperature	: -40°C to 85°C
Storage Temperature	: Max. 30°C
Service Life	Typ. 120hrs at 100mA continuous discharge at 25°C Typ. 33hrs at 300mA continuous discharge at 25°C
Warning	Please take into consideration of passivation in product design process. For some equipments, de-passivation may be needed before usage. Do not recharge, over-discharge, short circuit, disassemble, direct soldering, put into fire, put into water, use inverse polarity, mix new and old battery. May cause explosion, burning, or leaking.

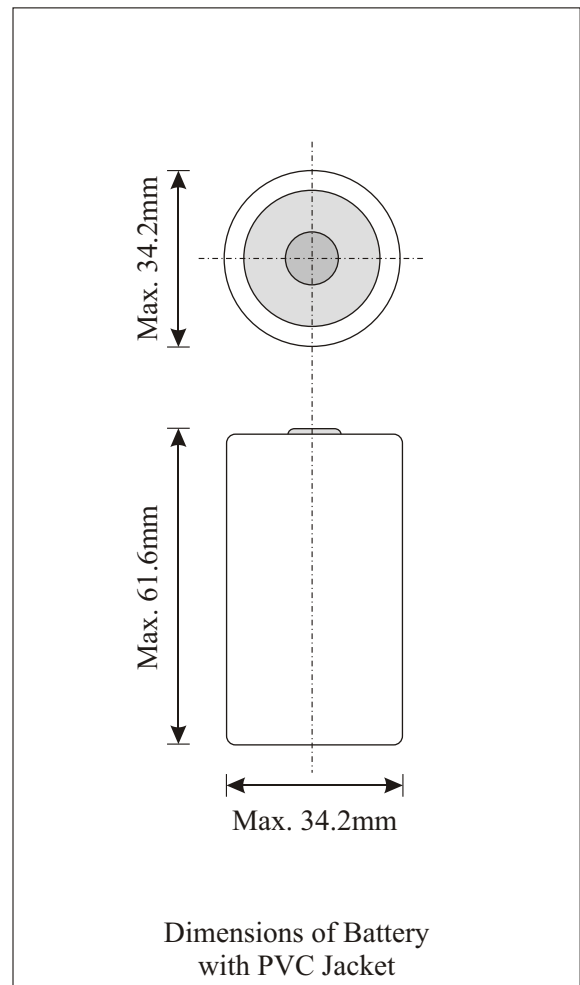
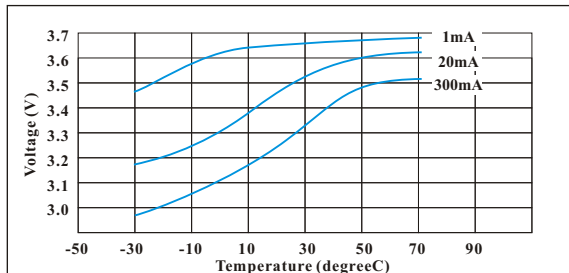
Typical Discharge Characteristics



Typical Discharge Characteristics



Typical Storage Characteristics



Information is for references only.